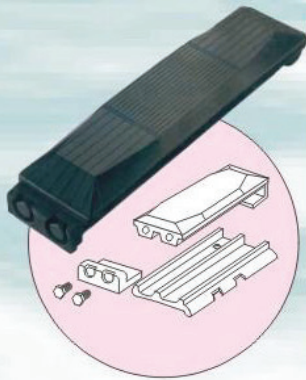
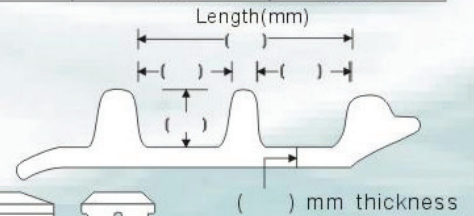
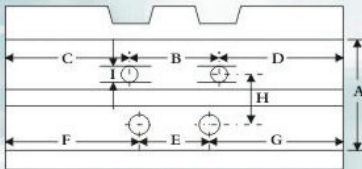


1. CLIP ON TYPE RUBBER PAD



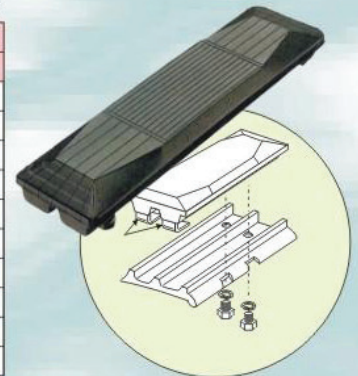
	Make & Model	Length (mm)	Height	Width (mm)	Weight (g)
1	GTW C300F	300	50	70	1500
2	GTW C320F	320	50	70	1680
3	GTW C350F	350	50	70	1750
4	GTW C3811	376	60	106	4000
5	GTW C400HD	400	60	100	3200
6	GTW C450HD	450	60	100	3700
7	GTW C450E	432	68	130	5400
8	GTW C500G	490	72	136	6950
9	GTW C500A	590	72	130	6900
10	GTW C500N	495	70	130	6500
11	GTW C500B	495	70	130	6450
12	GTW C600G	590	72	136	8100
13	GTW C600W	594	68	117	6600
14	GTW C600B	595	72	130	7800
15	GTW C600H	590	78	150	9400
16	GTW C700B	695	75	140	8550
17	GTW C700W	690	83	155	11000

- A: mm
- B: mm
- C: mm
- D: mm
- E: mm
- F: mm
- G: mm
- H: mm
- I: mm



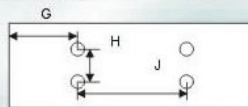
2. BOLT ON TYPE RUBBER PAD

	Make & Model	Length (mm)	Height (mm)	Width (mm)	Bolt (mm)	Steel Track Width x Pitch	Centre Distance D*d
1	GTW B300	300	38	70	12	300*101	199
2	GTW B350	350	38	70	12	300*101	199
3	GTW B400G	400	38	106	12	400*135	300*46
4	GTW B400B	400	46	105	12	400*135	300*46
5	GTW B450G	448	46	105	12	450*135	350*46
6	GTW B450A	448	38	106	12	450*135	350*46
7	GTW B450B	446	48	126	14	450*154	350*58
8	GTW B500	495	58	124	16	500*175	400*57
9	GTW B500D	495	58	126	16	500*171	400*60
10	GTW B600	595	73	138	20	600*190	400*69



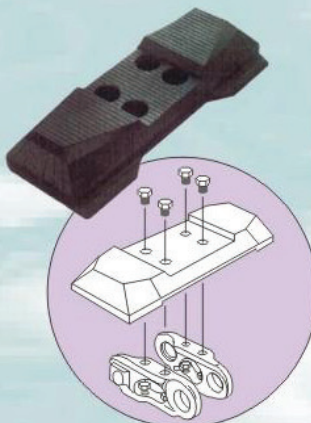
- G: mm
- H: mm
- J: mm

Grouser Plate Hole Pattern



3. CHAIN TYPE RUBBER PAD

	Make & Model	Steel Track Size				Pitch (mm)
		A	B	C	Bolt hole (mm)	
1	GTW J400B	80	104	46	12.2	135
2	GTW J400C	72	99	43.4	13.2	135
3	GTW J400D	64	94	46	13.2	135
4	GTW J450A	73	89	57	14.2	154
5	GTW J450B	90	90	55	14.2	154
6	GTW J450C	72	99	43.4	13.2	135
7	GTW J450D	76	106	46	13.3	135
8	GTW J500B	107.94	107.94	60.32	16.2	171.45
9	GTW J600A	124.4	160.4	62	20.2	190
10	GTW J600B	124.4	160.4	62	18.2	190
11	GTW J600C	119.57	155.57	69	20.82	190



- A: mm
- B: mm
- C: mm

