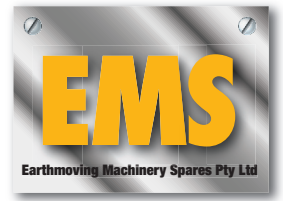
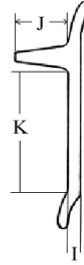
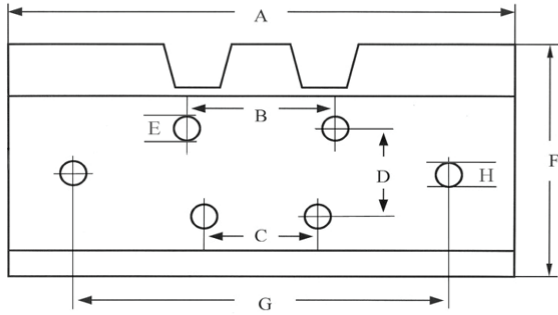


Rubber Pad Measurement Sheet (Grouser Plate Measurement)



Single Grouser Plate

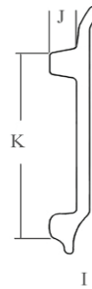
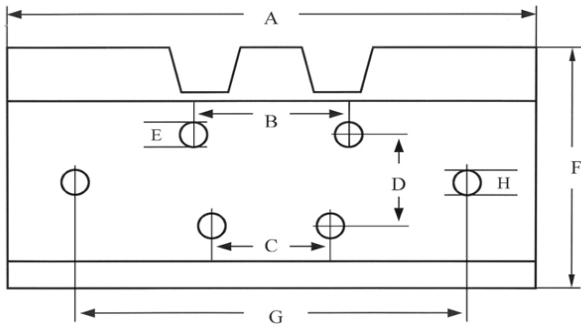


Machine Make : _____
 Model : _____
 Track Links : _____
 Pitch: _____

A: _____ E: _____
 B: _____ F: _____
 C: _____ G: _____
 D: _____ H: _____

I: _____
 J: _____
 K: _____

Double Grouser Plate

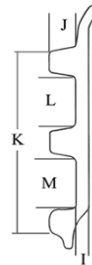
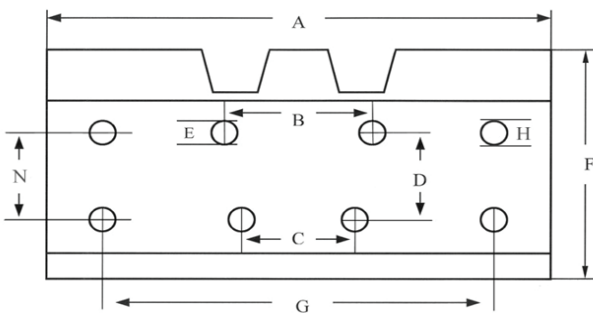


Machine Make : _____
 Model : _____
 Track Links : _____
 Pitch: _____

A: _____ E: _____
 B: _____ F: _____
 C: _____ G: _____
 D: _____ H: _____

I: _____
 J: _____
 K: _____

Triple Grouser



Machine Make : _____
 Model : _____
 Track Links : _____
 Pitch: _____

A: _____ E: _____
 B: _____ F: _____
 C: _____ G: _____
 D: _____ H: _____

I: _____ M: _____
 J: _____ N: _____
 K: _____
 L: _____

Company : _____
 Contact Person: _____
 Address: _____

Phone: _____
 Fax: _____
 Email : _____